

RA Series

RA Pendant

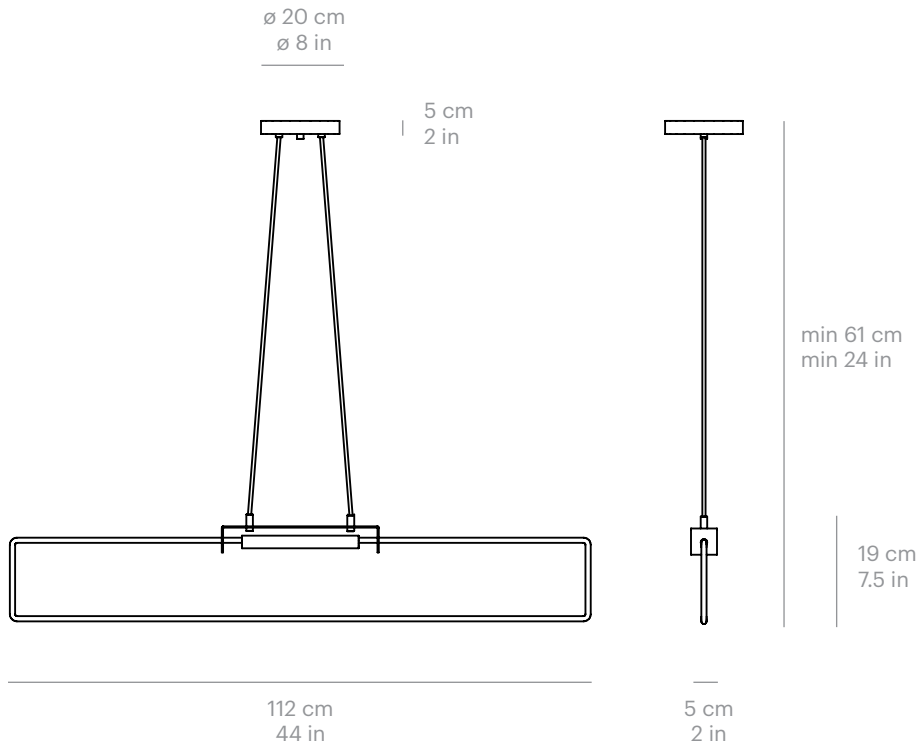
Design by Alexandre Joncas

RA Pendant, modern with simple lines, is suspended by silicon cables at a slight angle. Mounted above a table, its warm light conjures memories of an evening around a campfire.

*J.
Joncas*

RA Pendant

Design by Alexandre Joncas



Lamping Specifications

Power input : 45W
 Technology : Cold cathode neon lifetime of 100 000h
 CCT* : 2800K (Warm white)
 Lumen source : 1800 lm
 CRI : 94
 Input voltage : 120V - On/off only
 220-240V - DALI or 1-10V dimming
** specify dimming option when ordering*

Product Weight

2.4 kg / 5.2 lbs

Height

A	B	C	D
61 cm / 24 in	89 cm / 35 in	112 cm / 44 in	201 cm / 79 in

**custom height available upon request*

Certifications

IP20

Materials

Canopy & bracket :

- Matt White
- Matt black

Details finishes:

- Polished brass
- Black oxidized brass
- Chrome plated

Order code	Series	Model	Finish	Details	Voltage	Height	QTY
Generator	RA RA	SU Pendant	WH Matt white BL Matt black	BR Polished brass OX Black oxidized CH Chrome	11 120V 21 220-240V (DALI) 22 220-240V (1-10V)	A 61 cm B 89 cm C 112 cm D 201 cm Z Custom	.
Order code :	RA	SU	—	—	—	-	—